

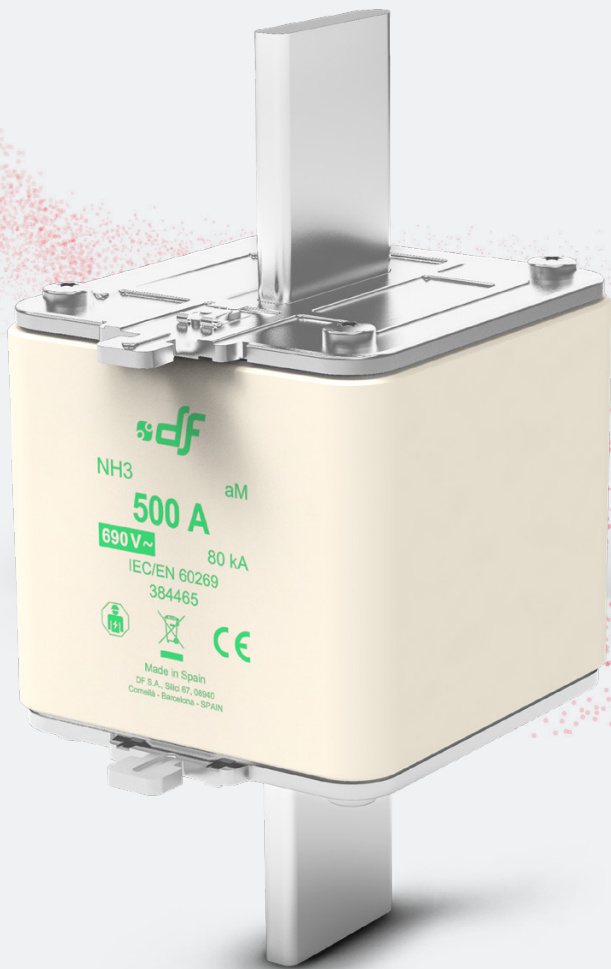
NH KNIFE-BLADE

FUSE LINKS & FUSE BASES

aM

NH 500V/690V

fuse links



PROTECTING THE WORLD





RATED VOLTAGE

690V AC
500V AC

RATED CURRENT

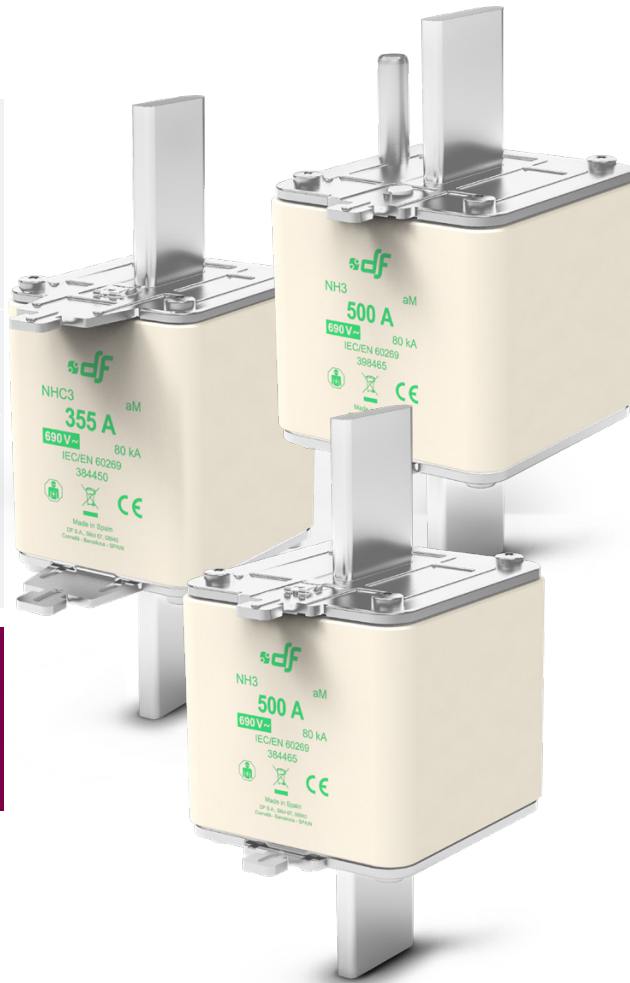
315A...630A

BREAKING CAPACITY

80kA @ 690V
120kA @ 500V

STANDARDS

IEC/EN 60269-1
IEC/EN 60269-2



Knife type NH aM 500V/690V fuse links with top indicator

These high breaking capacity fuse-links are intended for short circuit protection in motors, transformer and other load with high inrush currents, with rated voltages up to 690V (+5%).

The rated breaking capacity is 80kA at 690V or 120kA at 500V. Excellent protection of switchgear (contactor, thermal switch) due to the good current limiting capability and low I^2t values. These fuse links must be associated to an overload device protection (thermal switch).

Compact versions in low rated currents of every size.

The range comprises the following fuse links:

- Size NHC3 aM 690V 315A and 355A
- Size NH3 aM 500V/690V 400A to 630A
- Size NH3 with striker aM 500V/690V 400A to 630A

Manufactured with ceramic body with high withstand to internal pressure and thermal shock, that allows a high breaking capacity. Knife contacts are made of silver plated copper or brass.

They are manufactured according to IEC/EN60269 Standards and comply with RoHS directive.



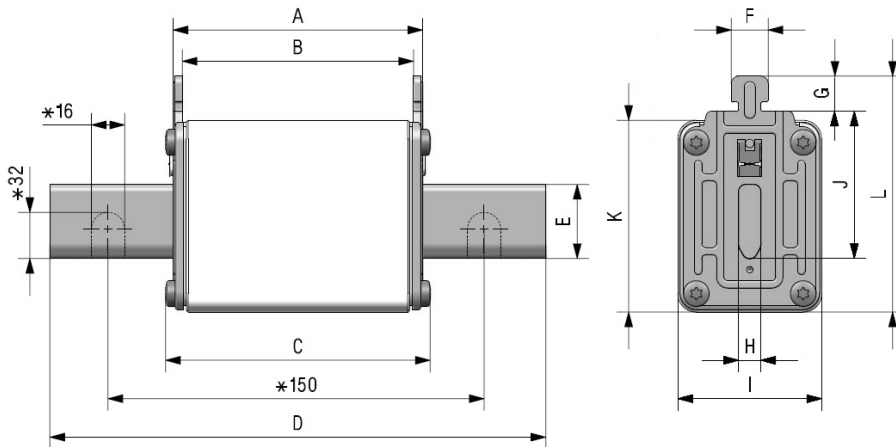
Range

	U _n	BREAKING CAPACITY	I _n	REFERENCE	PACKING
			(A)		Uni /BOX
NHC3	690V	80kA	315	384445	3/18
			355	384450	3/18
			400	384455	3/18
NH3	690V	80kA	425	384455	3/18
			500	384465	3/18
			630	383470	3/18
	500V	120kA	630	383470	3/18

	U _n	BREAKING CAPACITY	I _n	REFERENCE	PACKING
			(A)		Uni /BOX
NH3 WITH STRIKER	690V	80kA	400	398455	3/18
			425	398460	3/18
			500	398465	3/18
	500V	120kA	630	397470	3/18



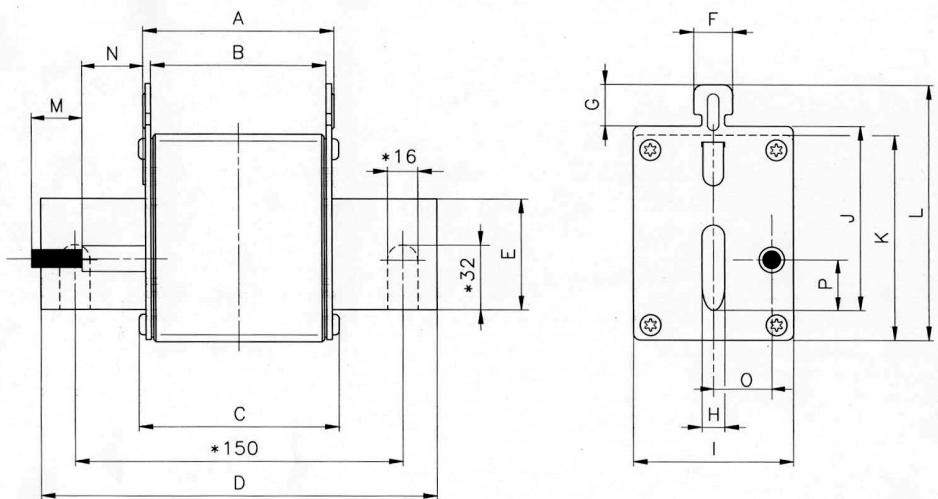
Dimensions



* Only for NH4 fuse links

	A	B	C	D	E	F	G	H	I	J	K	L
NHC3	68	62	71,5	150	25	10	9,5	6	53	60	60	84
NH3	68	62	73	150	32	10	9,5	6	70	60	75	87

Weight NHC3: 630gr | NH3: 1,02kg



* Only for NH4 fuse links

A	B	C	D	E	F	G	H	I	J	K	L	M	N	O	P
68	62	73	150	32	10	9,5	6	70	60	75	87	15	28	24	14,5

Weight 1,02kg



Technical data

Rated voltage	690V +5% 500V +10%
Rated current	315A...630A
Rated breaking capacity	80kA @690V 120kA @500V
Utilization category	aM
Rated frequency	42...62Hz
Storage temperature	-40°C ... 90°C
Operating temperature *	-40°C ... 80°C

* For ambient temperatures higher than 25°C it is necessary to apply a derating in maximum current.

Standards

IEC/EN 60269-1
IEC/EN 60269-2
RoHS Compliant



Materials

Body	Steatite C221
Contact blades	Copper or brass (silver plated)
Plates	Aluminium
Screws	Zinc plated steel

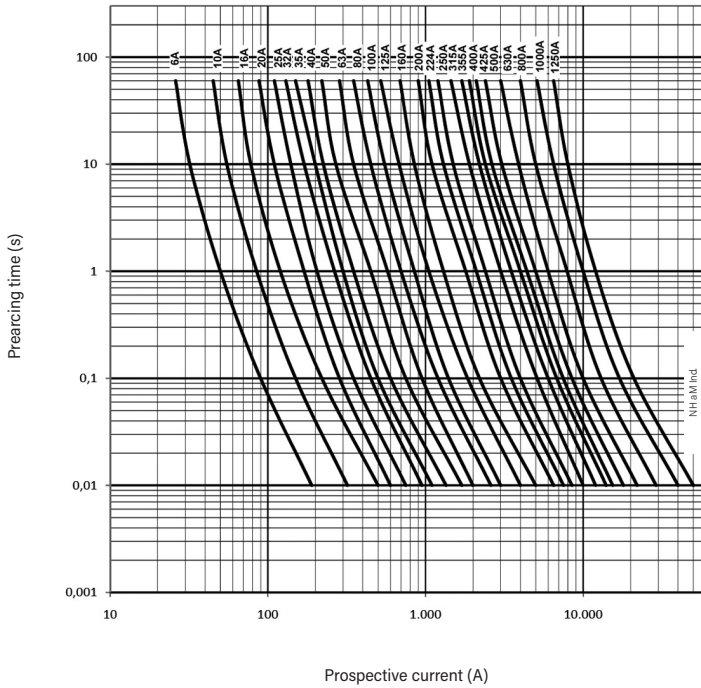
Power dissipation

	I_n (A)	POWER DISSIPATION (W)	PREARcing I^2t ≈ 4 ms (A ² s)	TOTAL I^2t 230V (A ² s)	TOTAL I^2t 400V (A ² s)	TOTAL I^2t 500V (A ² s)
NHC3	315	20,5	463000	871728	1021130	1379149
	355	24,1	470000	884908	1036568	1400000
	400	25,5	502000	1080129	1308183	1882500
NH3	425	28,5	582000	1252261	1516658	2182500
	500	34,5	760000	1635254	1980516	2850000
	630	45,9	1423000	3061799	3708255	5336250

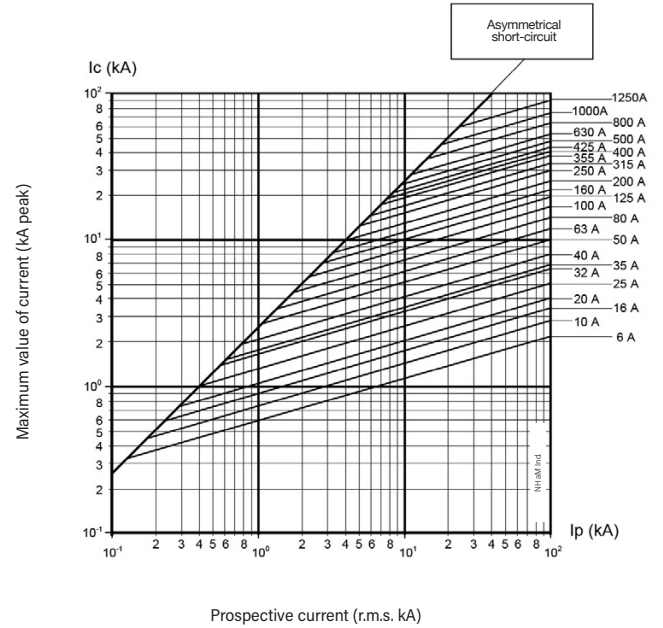
* Same data for STRIKER range (400A up to 630A)



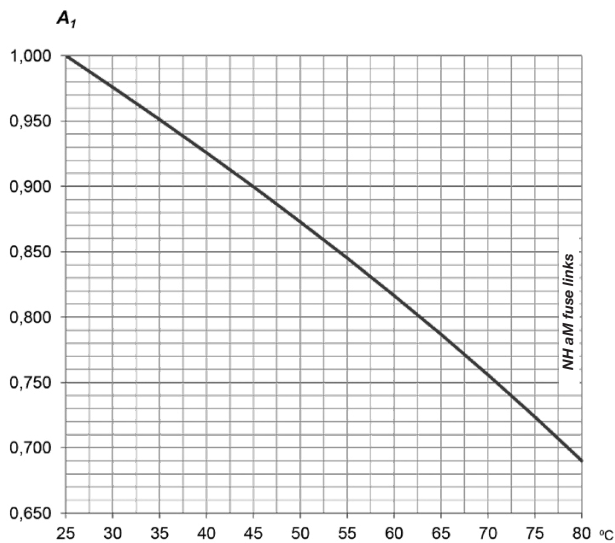
t-I characteristics



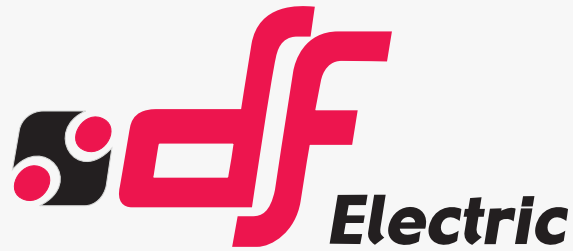
Cut-off characteristics



Ambient temperature derating factor



t_a (°C)	A_1
25	1,00
30	0,98
35	0,95
40	0,93
45	0,90
50	0,87
55	0,84
60	0,82
65	0,79
70	0,76
75	0,72
80	0,69



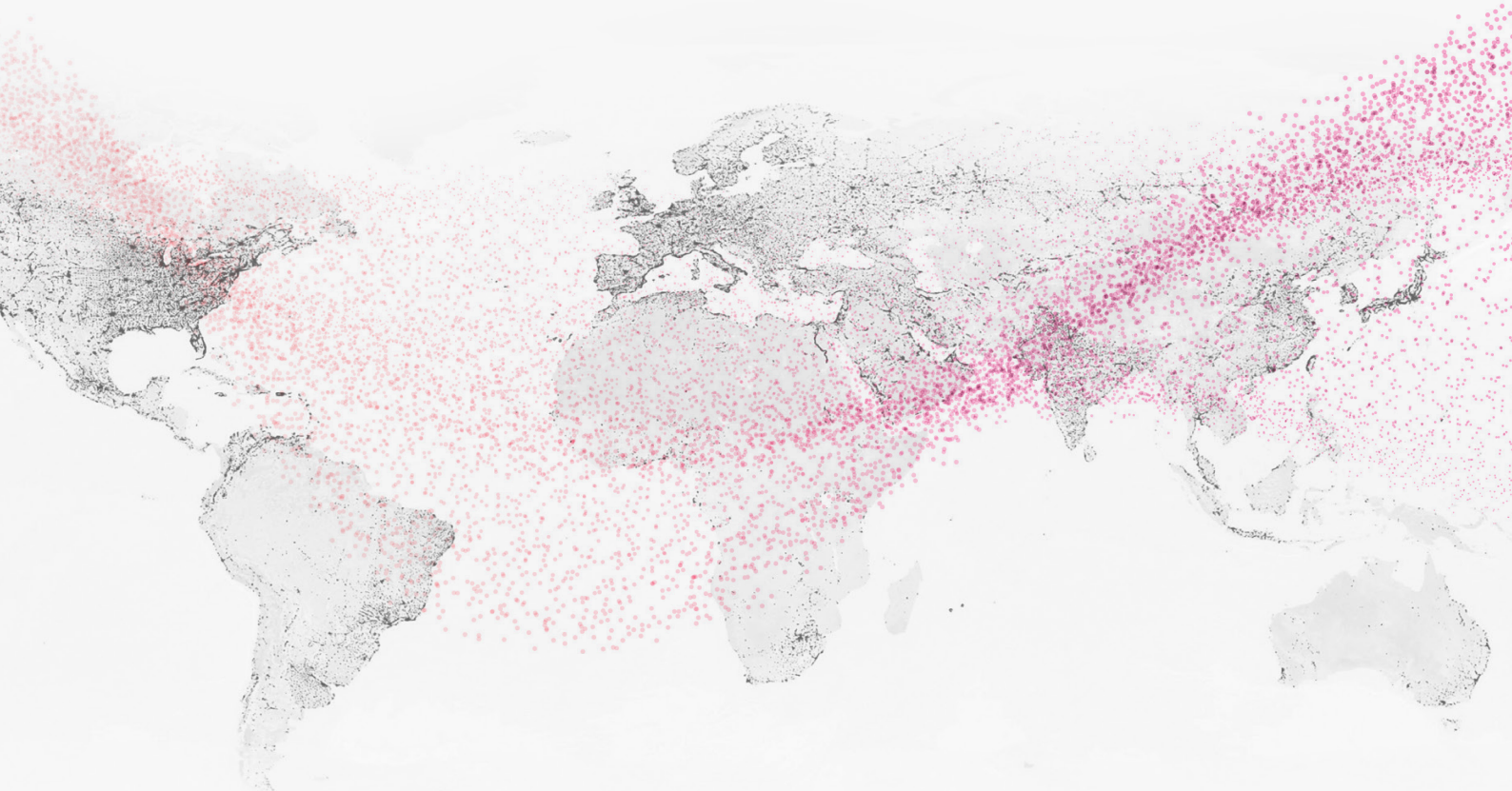
PROTECTING THE WORLD



HEAD OFFICE AND FACTORY
 SILICI, 67-69
 08940 CORNELLA DE LLOBREGAT
 BARCELONA · SPAIN
 Tel. +34 93 377 85 85
 Fax +34 93 377 82 82

INTERNATIONAL SALES
 Tel. +34 93 475 08 64
 Fax +34 93 480 07 75
 export@dfelectric.es

NATIONAL SALES
 Tel. 93 475 08 64
 Fax 93 480 07 76
 comercial@dfelectric.es



dfelectric.es



According to the waste of electrical and electronic equipment directive, electrical material should not be part of the usual waste. This symbol alerts users that these products should be recycled according to local environmental waste disposal regulations.



The "electro technical expert" logo marked on the products included in this data sheet indicates that the installation of these products must be carried out by expert personnel with specialized knowledge.



To prevent electrical hazards, carry out the installation without voltage.



Safety notice
 Please capture the following QR code and read our safety notice carefully before installing our products.



The data reflected in this technical record are subject to the correct installation of the product in accordance with manufacturer's instructions, relevant installation standards and professional practices, maintained and used in applications for which they were made.

The products described in this document have been designed, developed and tested in accordance with specific standard. They are considered components that are integrated as part of installation, machine or equipment. The correct general operation of the referred product is responsibility of the manufacturer of the installation, machine or equipment.

DF ELECTRIC cannot guarantee the characteristics of an installation, machine or equipment that has been designed by a third party. Once a product has been selected, the user must verify that it is appropriate for its application, through the verifications and/or tests that it deems appropriate.

DF ELECTRIC retains the right to change the dimensions, specifications, materials or design of its products at any time with or without notice.

©2020 DF Electric. All rights reserved