

NH KNIFE-BLADE

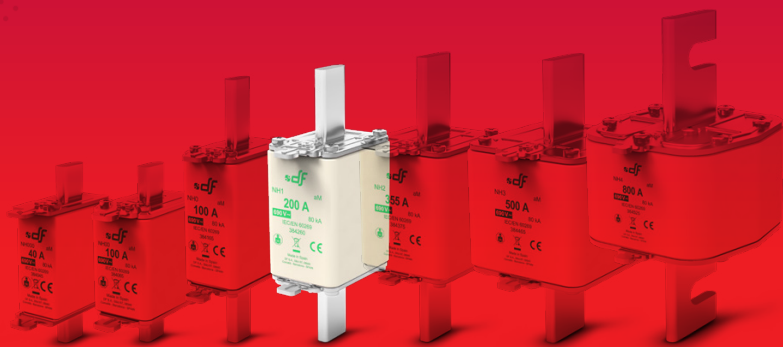
FUSE LINKS & FUSE BASES



aM

NH 500V/690V

fuse links



PROTECTING THE WORLD





RATED VOLTAGE

690V AC
500V AC

RATED CURRENT

63A...250A

BREAKING CAPACITY

80kA @ 690V
120kA @ 500V

STANDARDS

IEC/EN 60269-1
IEC/EN 60269-2



Knife type NH aM 500V/690V fuse links with top indicator

These high breaking capacity fuse-links are intended for short circuit protection in motors, transformer and other load with high inrush currents, with rated voltages up to 690V (+5%).

The rated breaking capacity is 80kA at 690V or 120kA at 500V. Excellent protection of switchgear (contactor, thermal switch) due to the good current limiting capability and low I^2t values. These fuse links must be associated to an overload device protection (thermal switch).

Compact versions in low rated currents of every size.

The range comprises the following fuse links:

- Size NHC1 aM 690V 63A to 100A
- Size NH1 gG 500V/690V 125A to 250A
- Size NH1 with striker aM 500V/690V 80A to 250A

Manufactured with ceramic body with high withstand to internal pressure and thermal shock, that allows a high breaking capacity. Knife contacts are made of silver plated copper or brass.

They are manufactured according to IEC/EN60269 Standards and comply with RoHS directive.



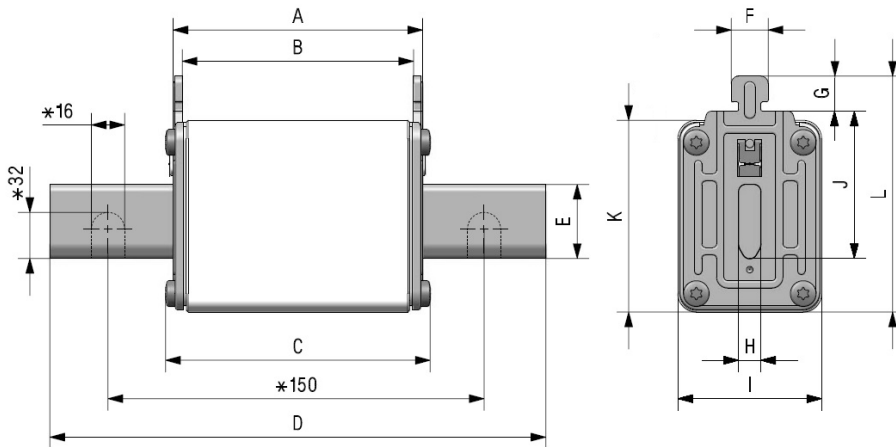
Range

	U _n	BREAKING CAPACITY	I _n	REFERENCE	PACKING
			(A)		Uni /BOX
NHC1	690V	80kA	63	384235	3/30
			80	384240	3/30
			100	384245	3/30
			125	384250	3/30
NH1	690V	80kA	160	384255	3/30
			200	384260	3/30
			224	383265	3/30
			250	383270	3/30
	500V	120kA			

	U _n	BREAKING CAPACITY	I _n	REFERENCE	PACKING
			(A)		Uni /BOX
NH1 WITH STRIKER	690V	80kA	80	398240	3/30
			100	398245	3/30
			125	398250	3/30
			160	398255	3/30
			200	398260	3/30
			250	397270	3/30
	500V	120kA			



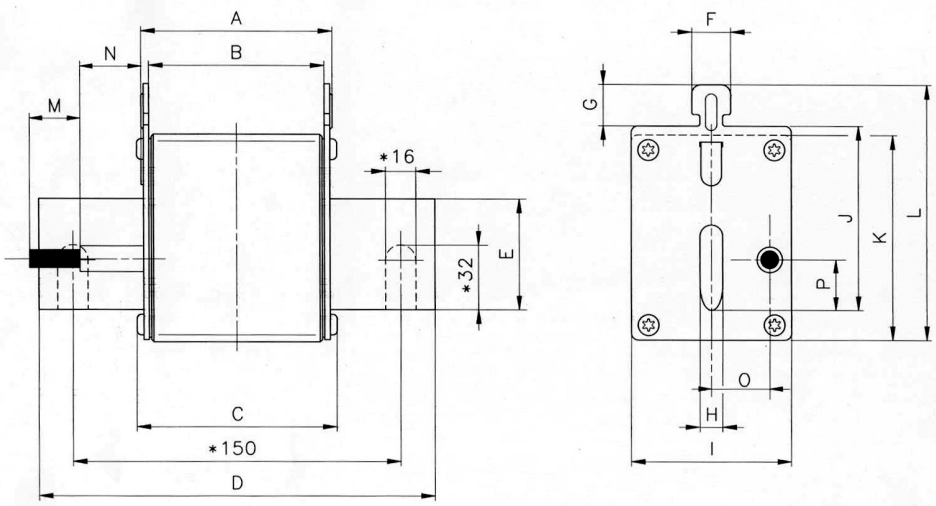
Dimensions



* Only for NH4 fuse links

	A	B	C	D	E	F	G	H	I	J	K	L
NHC1	68	62	70,5	135	15	10	9,5	6	29	40	47	64
NH1	68	62	71,5	135	20	10	9,5	6	39	40	52	64

Weight NHC1: 270gr | NH1: 380gr



* Only for NH4 fuse links

A	B	C	D	E	F	G	H	I	J	K	L	M	N	O	P
68	62	71,5	135	20	10	9,5	6	39	40	52	64	15	28,5	16	14,5

Weight 380gr



Technical data

Rated voltage	690V +5% 500V +10%
Rated current	63A...250A
Rated breaking capacity	80kA @690V 120kA @500V
Utilization category	aM
Rated frequency	42...62Hz
Storage temperature	-40°C ... 90°C
Operating temperature *	-40°C ... 80°C

* For ambient temperatures higher than 25°C it is necessary to apply a derating in maximum current.

Standards

IEC/EN 60269-1
IEC/EN 60269-2
RoHS Compliant



Materials

Body	Steatite C221
Contact blades	Copper or brass (silver plated)
Plates	Aluminium
Screws	Zinc plated steel

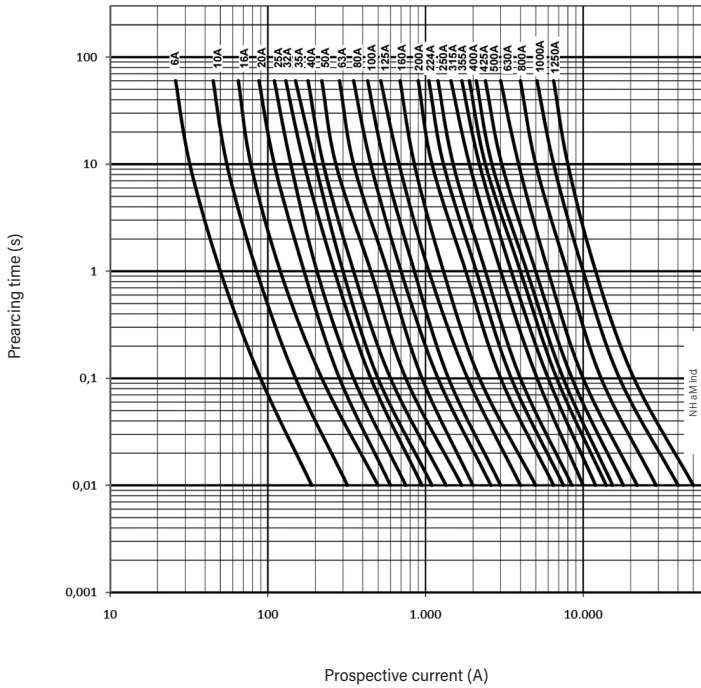
Power dissipation

	I_n (A)	POWER DISSIPATION (W)	PREARcing I_t^2 $\approx 4 \text{ ms (A}^2\text{s)}$	TOTAL I_t^2 230V (A ² s)	TOTAL I_t^2 400V (A ² s)	TOTAL I_t^2 500V (A ² s)
NHC1	63	4,1	16300	33697	40405	57050
	80	5,1	19600	40519	48586	68600
	100	6,8	36000	74423	89239	126000
	125	8,7	53000	99787	116890	157872
NH1	160	9,7	82000	154388	180848	244255
	200	13,8	167000	314425	368313	497447
	224	14,6	240000	451868	529312	714894
	250	18,1	291000	547890	641790	866809

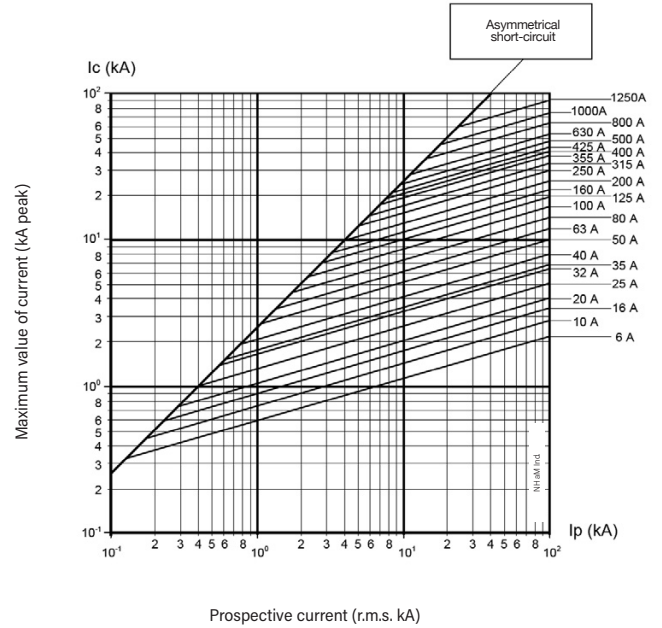
* Same data for STRIKER range (80A up to 250A)



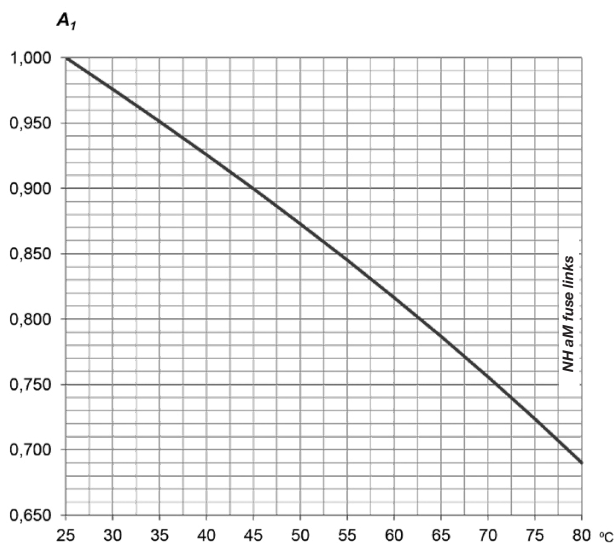
t-I characteristics



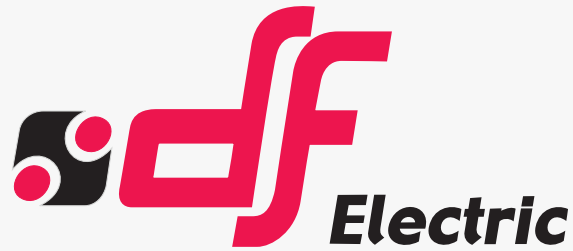
Cut-off characteristics



Ambient temperature derating factor



t_a (°C)	A_1
25	1,00
30	0,98
35	0,95
40	0,93
45	0,90
50	0,87
55	0,84
60	0,82
65	0,79
70	0,76
75	0,72
80	0,69



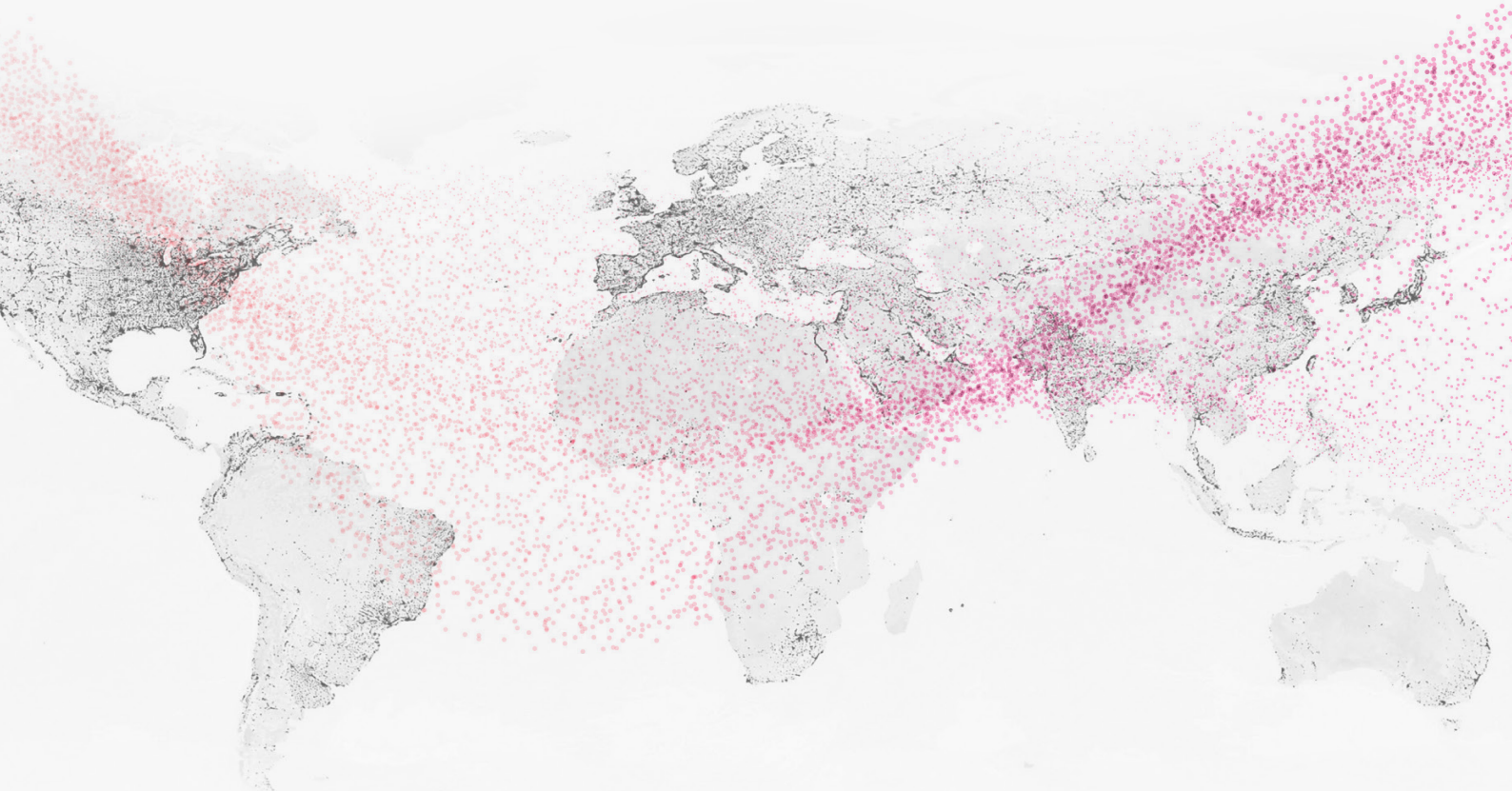
PROTECTING THE WORLD



HEAD OFFICE AND FACTORY
 SILICI, 67-69
 08940 CORNELLA DE LLOBREGAT
 BARCELONA · SPAIN
 Tel. +34 93 377 85 85
 Fax +34 93 377 82 82

INTERNATIONAL SALES
 Tel. +34 93 475 08 64
 Fax +34 93 480 07 75
 export@dfelectric.es

NATIONAL SALES
 Tel. 93 475 08 64
 Fax 93 480 07 76
 comercial@dfelectric.es



dfelectric.es



According to the waste of electrical and electronic equipment directive, electrical material should not be part of the usual waste. This symbol alerts users that these products should be recycled according to local environmental waste disposal regulations.



The "electro technical expert" logo marked on the products included in this data sheet indicates that the installation of these products must be carried out by expert personnel with specialized knowledge.



To prevent electrical hazards, carry out the installation without voltage.



Safety notice
 Please capture the following QR code and read our safety notice carefully before installing our products.



The data reflected in this technical record are subject to the correct installation of the product in accordance with manufacturer's instructions, relevant installation standards and professional practices, maintained and used in applications for which they were made.

The products described in this document have been designed, developed and tested in accordance with specific standard. They are considered components that are integrated as part of installation, machine or equipment. The correct general operation of the referred product is responsibility of the manufacturer of the installation, machine or equipment.

DF ELECTRIC cannot guarantee the characteristics of an installation, machine or equipment that has been designed by a third party. Once a product has been selected, the user must verify that it is appropriate for its application, through the verifications and/or tests that it deems appropriate.

DF ELECTRIC retains the right to change the dimensions, specifications, materials or design of its products at any time with or without notice.

©2020 DF Electric. All rights reserved