

# CYLINDRICAL

FUSE LINKS & FUSE HOLDERS/BASES



# PMX

industrial modular fuse holders  
for cylindrical fuse links



# PROTECTING THE WORLD



RATED CURRENT  
100A

RATED VOLTAGE  
1000V AC/DC

MAXIMUM POWER DISSIPATION  
12W

PROTECTION INDEX  
IP20

STANDARDS  
IEC/EN 60269-1  
IEC/EN 60269-2  
UL 4248-1  
UL 486E



## Industrial modular fuse holders for cylindrical fuse links

Modular fuse holder for cylindrical fuse link size 10x38 according IEC/EN 60269 standard.

Compact design, with reduced dimensions.

Ventilation zones optimized for a better heat dissipation.

Manufactured with a high quality materials

- Silver plated copper contacts.
- Plastic materials with high temperature resistance and self-extinguishable.
- All the materials are according to the European Directive RoHS.



Extended range of accessories is available.

UL certification (File E193529).



## Accessories

## Range

REFERENCE	DESCRIPTION	PACKING Uni /BOX
<b>480005</b>	PINS FOR MULTIPOLE ASSEMBLY	12
<b>485356</b>	PMX-14/22 HANDLE TIES FOR MULTIPOLE ASSEMBLY	12
<b>485366</b>	PMX-22 SPECIAL IP20 PROTECTION ACCESSORY	12
<b>485367</b>	PMX-22 SPECIAL ACCESSORY SCREW CONNECTION	12
<b>485371</b>	PMX-22 ACCESSORY SCREW PROTECTION	12

REFERENCE	INDICATOR	POLES	MODULES	PACKING Uni /BOX
<b>485725</b>	-	1P	1	6/48

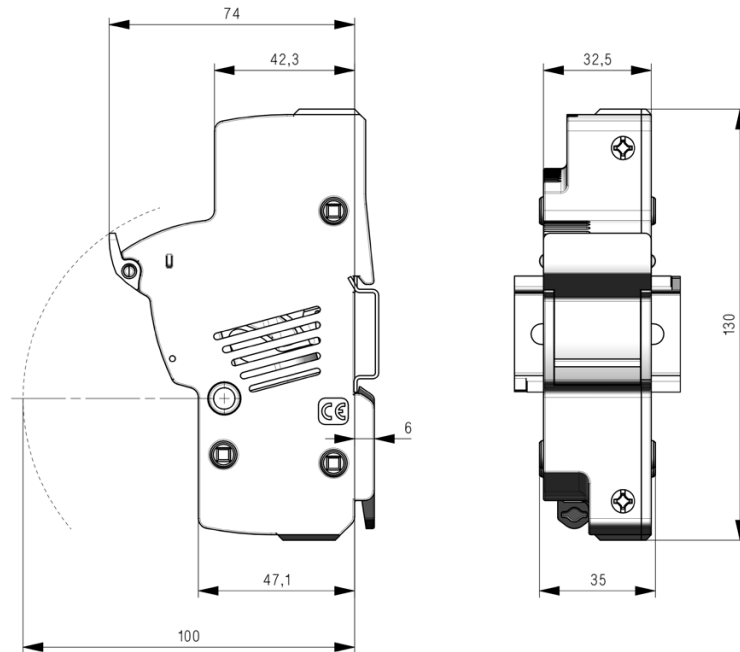


## Technical data

Rated current	100A	
Rated voltage	1000V AC/DC	
Maximum power dissipation	12W	
Power dissipation per pole	50% $I_n > 1,48W$ 80% $I_n > 1,82W$ 100% $I_n > 2,81W$	
Pollution degree	3	
Protection index *	IP20	
Rated impulse withstand voltage	8kV $U_{imp}$	
Ambient temperature of service	-40°C ... 70°C (with carrier operation) -50°C ... 80°C (without carrier operation)	
Storage temperature	-50°C ... 80°C	
Derating by number of poles	<b>POLES</b>	<b><math>I_{MAX}</math></b>
	1 ... 4	$I_n$
	$\geq 5$	$0,85 \times I_n$
Correction of the admissible current in function of the temperature	20° C	1
	30° C	0,95
	40° C	0,90
	50° C	0,80
	60° C	0,70
	70° C	0,60

\* For wires of section  $\leq 6mm^2$  is necessary the use of the accessory to guarantee IP20 in clamps zone. ► **FIG. 3**

## Dimensions



## Weight

1P

148gr

Weight without packing

## Standards

IEC/EN 60269-1  
IEC/EN 60269-2  
UL4248-1 Fuse holders  
UL486E Wiring terminals

## Warning of use

Installing or replacing of fuse links is only allowed by instructed specialized staff.

To avoid electrical risk, install the switchgear without voltage.





## Application characteristics

**For mounting on DIN/EN standard rail** DIN 46277/1-3 (EN50022)  
Clip fixation with 2 positions

**Screw fixation** Available with accessory  
► **FIG. 2**

**Connecting wire**  
Copper wires only

WIRES	METRIC	AWG	WIRING
1	1,5...35mm <sup>2</sup> Flexible / Extra flexible	16...2 AWG Flexible / Extra flexible	
2 Same cross section and type	1,5...10mm <sup>2</sup> Flexible / Extra flexible	16...6 AWG Flexible / Extra flexible	

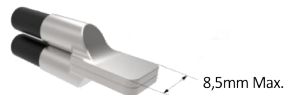
### BUS-BAR applications

Clamping dimensions

THICKNESS	WIDTH
8,5mm	8,5mm

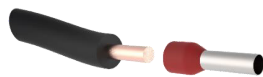
**Wire-end terminals** The use of wire-end terminals may allow to increase the connecting wire section.

Wire-end terminals recommended mounting:



The use of wire-end terminals could not guarantee the IP20 protection degree.

**Ferrules** It's recommended use of ferrules in wires with section  $\leq 2,5\text{mm}^2$



The product is delivered with the terminals opened and ready to connect

**Tightening torque on terminals** 3,5...4 Nm  
31...35 lb.in

**Screws with a combined head** SLOT + PZ2

**Multipolar assembly** ► **FIG. 1**

**Special zone for sealing**  $\varnothing 1,5$  mm wire

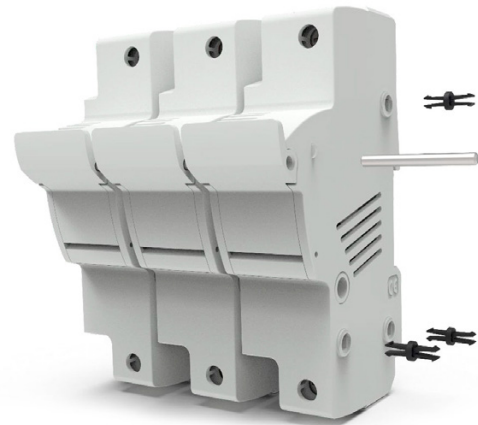
## Accessories

**FIG. 1 | Multipolar assembly**

Standard system by DF, 3 clips and 1 pin for each union between poles

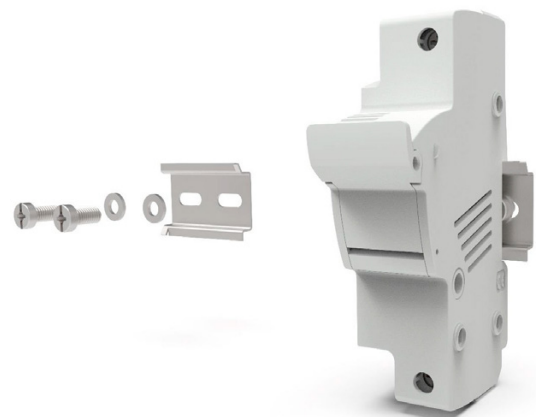
**480005** PINS FOR MULTIPOLE ASSEMBLY

**485356** PMX-14/22 HANDLE TIES FOR MULTIPOLE ASSEMBLY



**FIG. 2 | Screw fixation accessory**

First mount the accessory with screws, then mount the fuseholder (there are available different accessories depending the number of the fuseholder)



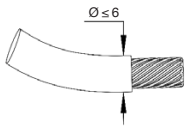


## Accessories

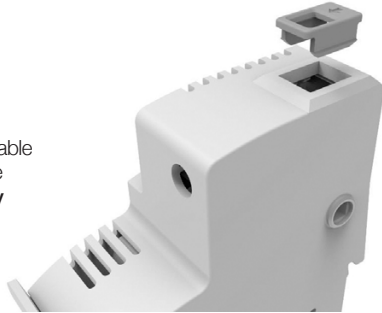
**FIG. 3 | Special IP20 protection**

The accessory must be positioned in the wire entries, if it's necessary to achieve the IP20 degree of protection with thin wires. Manual assembly.

**485366** PMX-22 SPECIAL IP20 PROTECTION ACCESSORY

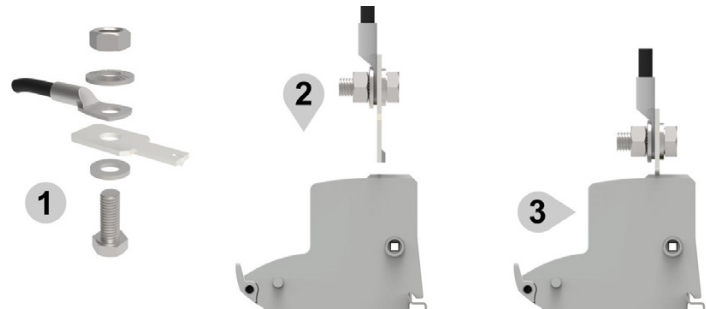


To obtain an IP20 rating with cable protection of  $\varnothing \leq 6\text{mm}$ , use the special protection accessory



**FIG. 5 | Special screw connection accessory**

**485367** PMX-22 SPECIAL SCREW CONNECTION ACCESSORY



1

2

3

Mount the accessory in the wire or busbar (10Nm)

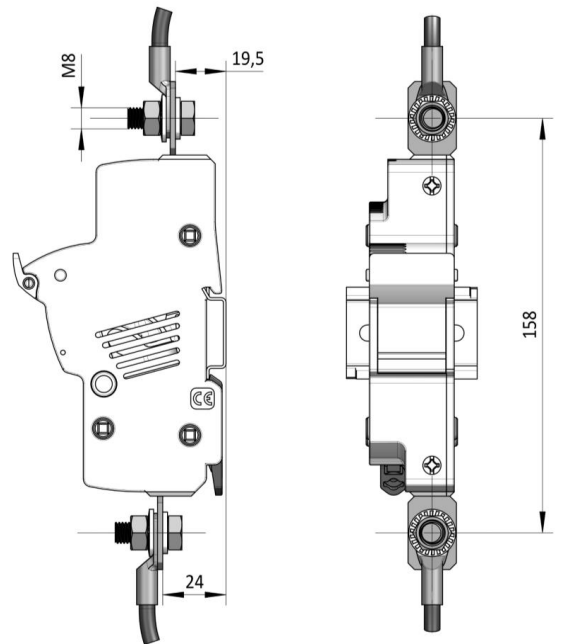
Wiring in the fuse holder

Apply tightening torque (4Nm)

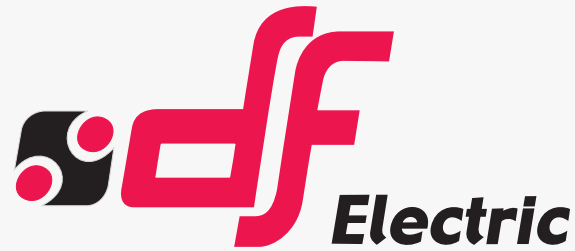
**FIG. 4 | Screw's protection accessory**

Protection accessory to avoid the screws manipulation and improve the protection degree. Manual assembly.

**485371** PMX-22 ACCESSORY SCREW PROTECTION







# PROTECTING THE WORLD

## HEAD OFFICE AND FACTORY

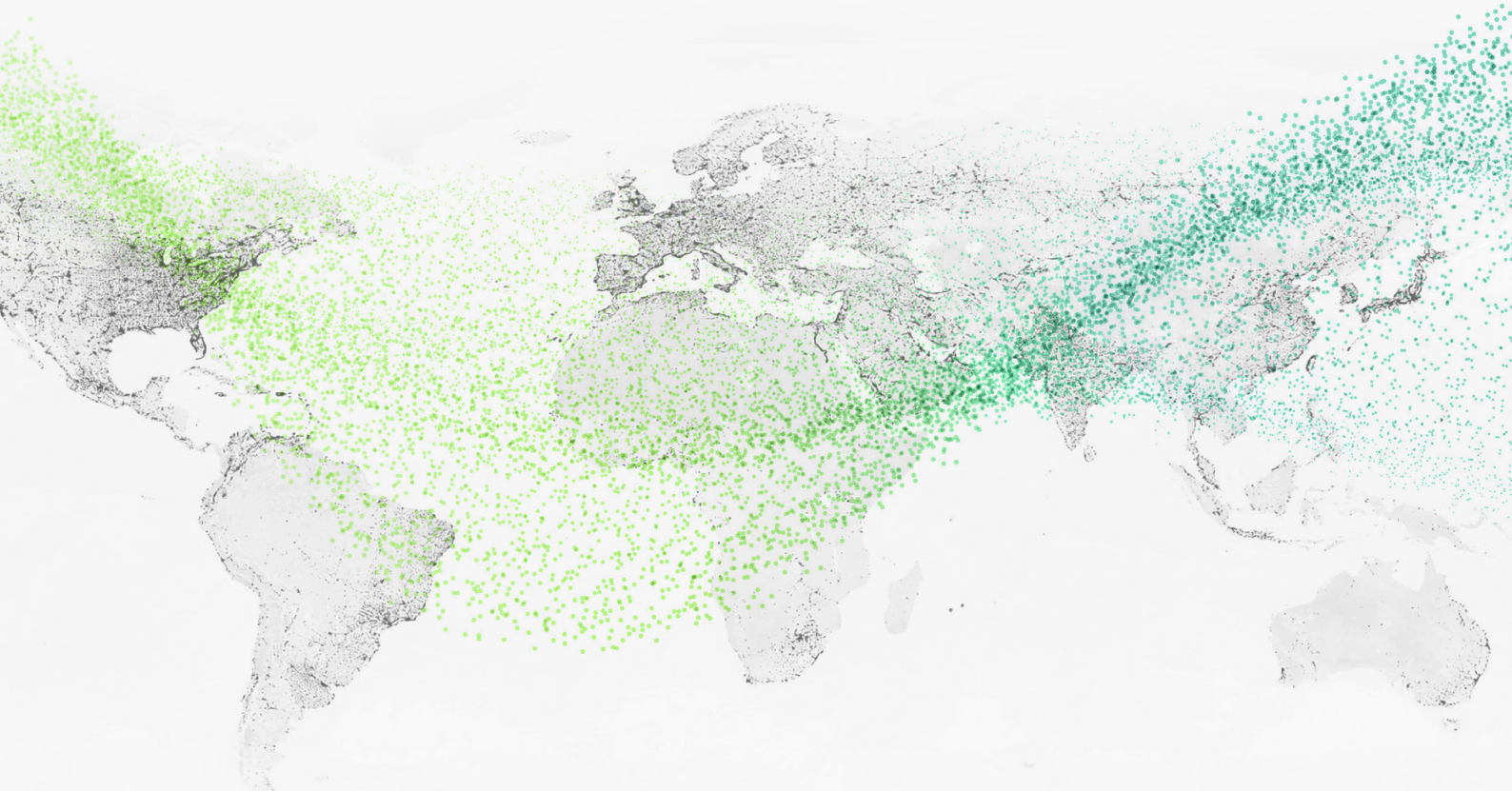
SILICI, 67-69  
08940 CORNELLA DE LLOBREGAT  
BARCELONA · SPAIN  
Tel. +34 93 377 85 85  
Fax +34 93 377 82 82

## INTERNATIONAL SALES

Tel. +34 93 475 08 64  
Fax +34 93 480 07 75  
export@dfelectric.es

## NATIONAL SALES

Tel. 93 475 08 64  
Fax 93 480 07 76  
comercial@dfelectric.es



dfelectric.es



According to the waste of electrical and electronic equipment directive, electrical material should not be part of the usual waste. This symbol alerts users that these products should be recycled according to local environmental waste disposal regulations.



The "electro technical expert" logo marked on the products included in this data sheet indicates that the installation of these products must be carried out by expert personnel with specialized knowledge.



To prevent electrical hazards, carry out the installation without voltage.



**Safety notice**  
Please capture the following QR code and read our safety notice carefully before installing our products.



The data reflected in this technical record are subject to the correct installation of the product in accordance with manufacturer's instructions, relevant installation standards and professional practices, maintained and used in applications for which they were made.

The products described in this document have been designed, developed and tested in accordance with specific standard. They are considered components that are integrated as part of installation, machine or equipment. The correct general operation of the referred product is responsibility of the manufacturer of the installation, machine or equipment.

DF ELECTRIC cannot guarantee the characteristics of an installation, machine or equipment that has been designed by a third party. Once a product has been selected, the user must verify that it is appropriate for its application, through the verifications and/or tests that it deems appropriate.

DF ELECTRIC retains the right to change the dimensions, specifications, materials or design of its products at any time with or without notice.

©2024 DF Electric. All rights reserved