



CYLINDRICAL

FUSE LINKS & FUSE HOLDERS/BASES

PMX

industrial modular fuse holders
for cylindrical fuse links

PMX

20x127



8x32

10x38

14x51

22x58

22x65

20x127

PROTECTING THE WORLD



20x127

RATED CURRENT

63A

RATED VOLTAGE

1500V AC/DC

MAXIMUM POWER DISSIPATION

16 W

PROTECTION INDEX

IP20

STANDARDS

IEC/EN 60269-1

IEC/EN 60269-2

UL 4248-1

UL 486E

**PATENTED
DESIGN**

Industrial modular fuse holders for cylindrical fuse links

Modular fuse holder for cylindrical fuse link size 20x127 according IEC/EN 60269 standard.

Compact design, with reduced dimensions.

Ventilation zones optimized for a better heat dissipation.

Manufactured with a high quality materials

- Silver plated copper contacts.
- Plastic materials with high temperature resistance and self-extinguishable.
- All the materials are according to the European Directive RoHS.



Extended range of accessories is available.

Accessories

REFERENCE	DESCRIPTION	PACKING Uni /BOX
480005	PINS FOR MULTIPOLE ASSEMBLY	12
485356	HANDLE TIES FOR MULTIPOLE ASSEMBLY	12
485359	ACCESSORY 1 POLE MICRO ONLY FUSION	5
485366	SPECIAL IP20 PROTECTION ACCESSORY	12
485371	SCREW PROTECTION ACCESSORY	20

Range

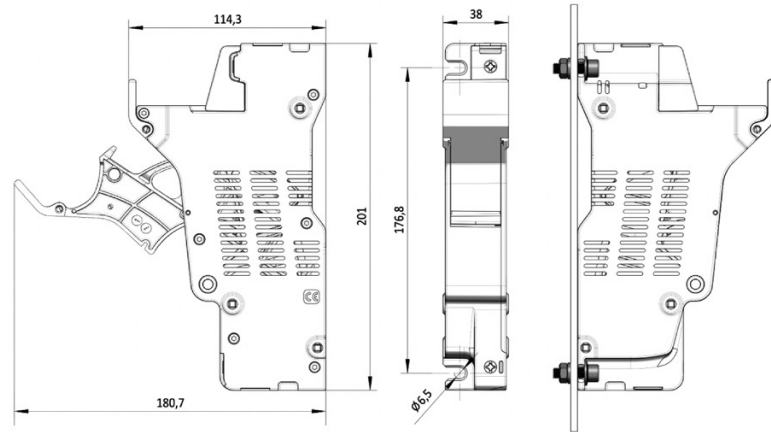
U _n	REFERENCE		POLES	PACKING Uni /BOX
	WITHOUT MICROSWITCH	WITH MICROSWITCH		
1500V AC/DC	485750	–	1P	2
	485751	–	2P	1
	–	485760	1P	2
	–	485761	2P	1



Technical data

Rated current	63A	
Rated voltage	1500V AC/DC	
Maximum power dissipation	16W	
Power dissipation per pole (with neutral link)	80% $I_n > 0,8W$ 100% $I_n > 1,2W$	
Pollution degree	3	
Protection index ▶ FIG. 6	IP20	
Rated impulse withstand voltage	12kV U imp	
Withstand rating	100kA AC/DC	
Ambient temperature of service	-40°C ... 70°C (with carrier operation) -50°C ... 80°C (without carrier operation)	
Storage temperature	-50°C ... 80°C	
Derating by number of poles	POLES	I_{MAX}
	1 ... 4	I_n
	≥ 5	$0,85 \times I_n$
Correction of the admissible current in function of the temperature	20° C	1
	30° C	0,95
	40° C	0,90
	50° C	0,80
	60° C	0,70
	70° C	0,60

Dimensions



Weight

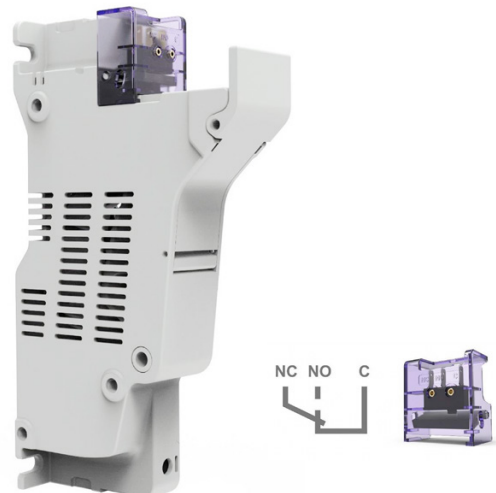
1P	303,5gr
2P	608,5gr
Weight without packing	

Accessories

FIG. 1 | Microswitch

The standard version of the 20x127 fuse holder can be converted into the Micro Solo Fusion version with accessory

485359 ACCESSORY 1 POLE MICRO ONLY FUSION



Standards

IEC/EN 60269-1
IEC/EN 60269-2
UL4248-1 Fuse holders
UL486E Wiring terminals

Warning of use

Installing or replacing of fuse links is only allowed by instructed specialized staff.

To avoid electrical risk, install the switchgear without voltage.





Application characteristics

Panel fastening	SCREW
Recommended screw	M6 (DIN912 / ISO4762)
Recommended torque	4...6 Nm

Connecting wire
Copper wires only

WIRES	METRIC	AWG	WIRING
1	1,5...35mm ² Flexible / Extra flexible	16...1/0 AWG Flexible / Extra flexible	
2 <small>Same cross section and type</small>	1,5...10mm ² Flexible / Extra flexible	16...6 AWG Flexible / Extra flexible	

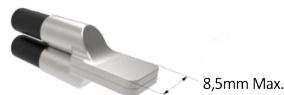
BUS-BAR applications
Clamping dimensions

THICKNESS	WIDTH
8,5mm	8,5mm

Wire-end terminals

The use of wire-end terminals may allow to increase the connecting wire section.

Wire-end terminals recommended mounting:



The use of wire-end terminals could not guarantee the IP20 protection degree.

Ferrules

It's recommended use of ferrules in wires with section $\leq 2,5\text{mm}^2$



The product is delivered with the terminals opened and ready to connect

Tightening torque on terminals	4 Nm 35 lb.in
Screws with a combined head	SLOT + PZ2
Multipolar assembly	► FIG. 3

Accessories

FIG. 2 | Microswitch fuse holder

Fuse links with striker must be mounted on fuse holders with microswitch system. Arrow indicates the correct position of the striker.

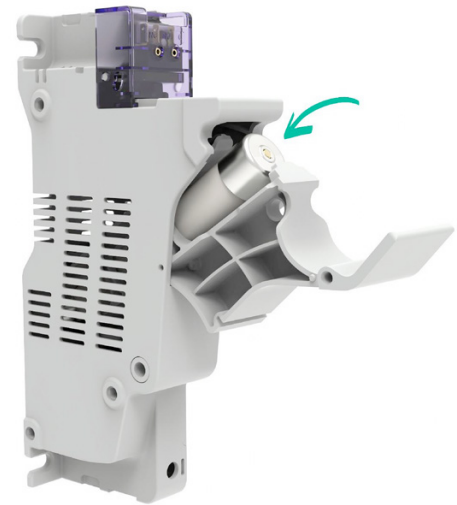
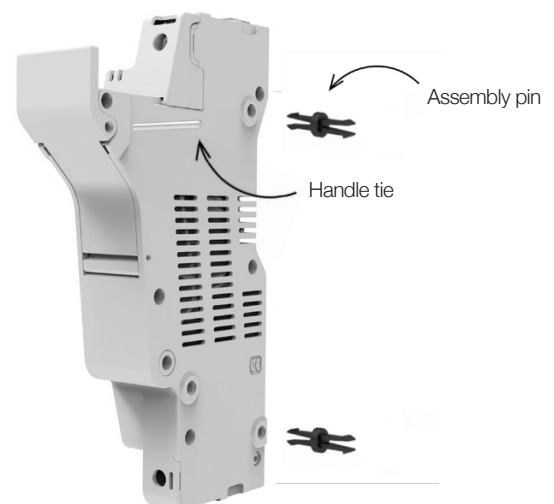


FIG. 3 | Multipolar assembly

Standard system by DF: 3 clips and 1 pin for each union between poles.

- 480005** PINS FOR MULTIPOLE ASSEMBLY
- 485356** HANDLE TIES FOR MULTIPOLE ASSEMBLY





Accessories

FIG. 4 | Panel fixation

Recommended screw
M6 (DIN912 / ISO4762)

Recommended torque
4...6 Nm

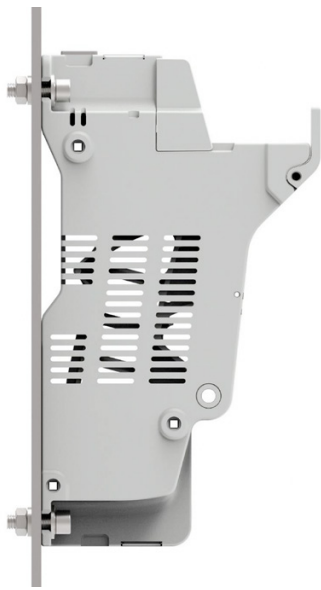
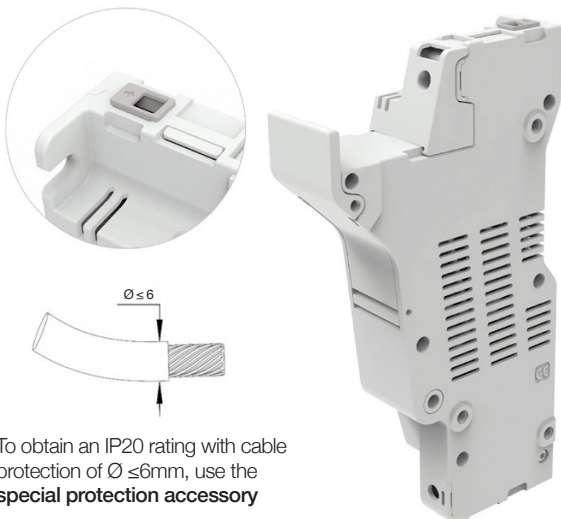


FIG. 6 | Special IP20 protection

Position the reducer accessory at the terminals when an IP20 protection is required with thin cables. Manual assembly.

485366 SPECIAL IP20 PROTECTION ACCESSORY



To obtain an IP20 rating with cable protection of $\varnothing \le 6$ mm, use the special protection accessory

FIG. 5 | Fuse holder lock

Fuse holder lock to avoid the operation and connection.

Open handle → By padlock / By wire seal $\varnothing 1,5$ mm
Close handle → By wire seal $\varnothing 1,5$ mm

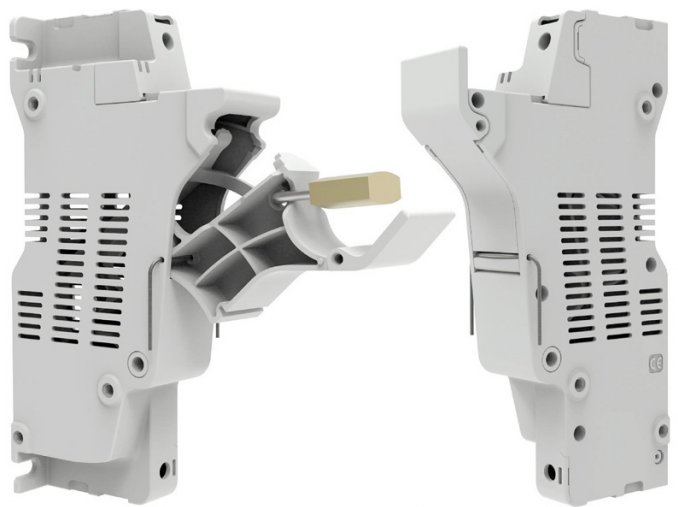


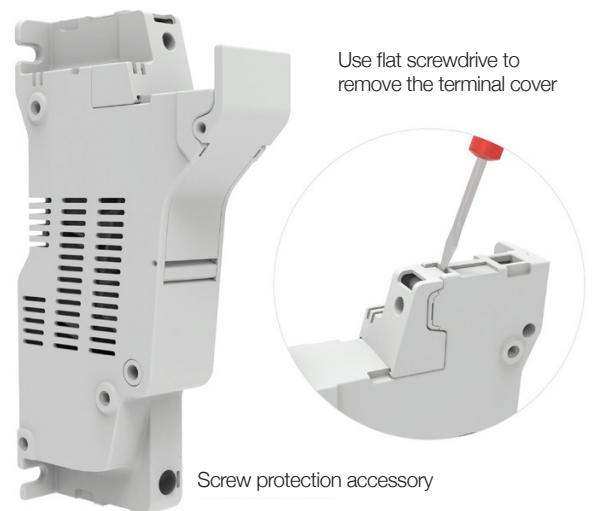
FIG. 7 | Screws protection accessory

Protection accessory to avoid the screws manipulation and improve the protection degree. Manual assembly.

Improve protection degree
Use accessory in lower terminal (ST and Micro versions)

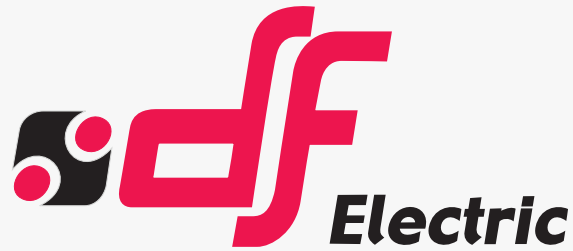
Avoid screws manipulation
ST Version → Use in both terminals
Micro version → Use in lower terminal

485371 SCREW PROTECTION ACCESSORY



Use flat screwdriver to remove the terminal cover

Screw protection accessory



PROTECTING THE WORLD

HEAD OFFICE AND FACTORY

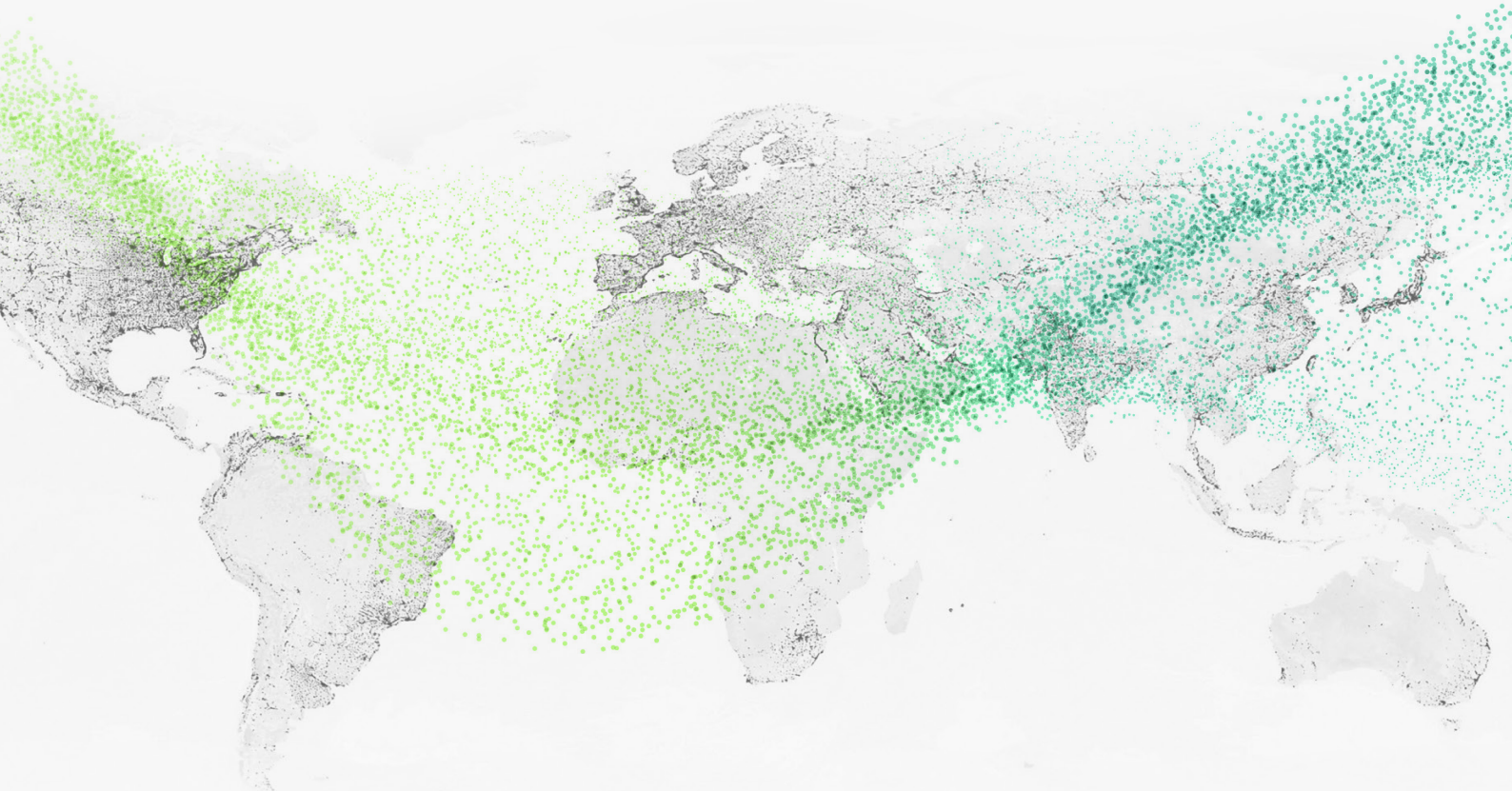
SILICI, 67-69
08940 CORNELLA DE LLOBREGAT
BARCELONA · SPAIN
Tel. +34 93 377 85 85
Fax +34 93 377 82 82

INTERNATIONAL SALES

Tel. +34 93 475 08 64
Fax +34 93 480 07 75
export@dfelectric.es

NATIONAL SALES

Tel. 93 475 08 64
Fax 93 480 07 76
comercial@dfelectric.es



dfelectric.es



According to the waste of electrical and electronic equipment directive, electrical material should not be part of the usual waste. This symbol alerts users that these products should be recycled according to local environmental waste disposal regulations.



The "electro technical expert" logo marked on the products included in this data sheet indicates that the installation of these products must be carried out by expert personnel with specialized knowledge.



To prevent electrical hazards, carry out the installation without voltage.



Safety notice
Please capture the following QR code and read our safety notice carefully before installing our products.



The data reflected in this technical record are subject to the correct installation of the product in accordance with manufacturer's instructions, relevant installation standards and professional practices, maintained and used in applications for which they were made.

The products described in this document have been designed, developed and tested in accordance with specific standard. They are considered components that are integrated as part of installation, machine or equipment. The correct general operation of the referred product is responsibility of the manufacturer of the installation, machine or equipment.

DF ELECTRIC cannot guarantee the characteristics of an installation, machine or equipment that has been designed by a third party. Once a product has been selected, the user must verify that it is appropriate for its application, through the verifications and/or tests that it deems appropriate.

DF ELECTRIC retains the right to change the dimensions, specifications, materials or design of its products at any time with or without notice.

©2026 DF Electric. All rights reserved